

A3 DRG. No.

PROPRIETARY INFORMATION  
This document contains proprietary information which is forwarded to you in confidence for a specific purpose. It shall not be reproduced nor transferred to other documents nor disclosed to others, nor used for manufacturing or any other purpose without the prior written permission of Digital Projection Ltd. It shall be returned immediately upon request.

DRAWN BS 308  
3rd Angle Projection

Distribution Code

Last Change  
DATE OF ISSUE -14-8-23

Part No.	Description
120-481	PROJECTOR, E-VISION LASER 9000-WU (WHITE CHASSIS WITH LENS, DE-POLARIZER)
120-482	PROJECTOR, E-VISION LASER 9000-WU (WHITE CHASSIS WITHOUT LENS, DE-POLARIZER)

LENS EXTENSIONS		
DP P/N	Throw Ratio for WUXGA (0.67" DMD) 16:10 Aspect Ratio	Outside Edge Lens Extension
114-785B	0.778:1	-7.59mm
119-001A	0.77 ~ 1.1:1	86.49mm
116-207A	1.10 ~ 1.30:1	72.96mm
119-430A	1.25 ~ 1.60:1	76.8mm
114-783B	1.54 ~ 1.93:1	6.96mm
114-784B	1.93 ~ 2.91:1	21.64mm
116-208A	3.00 ~ 5.00:1	51.52mm

ITEM	DESCRIPTION	REFER TO	No Off	REMARKS
3				
2				
1				
	MATERIAL	FINISH		
A				
PRE REVS	CODE			

TOLERANCES UNLESS OTHERWISE STATED		CAD GENERATED DRAWING. DO NOT MAKE MANUAL CHANGES		FIRST USED ON	
METRIC: 1.000 = ±0.01 1.00 = ±0.1 1.0 = ±0.2 1 = ±0.4		UNLESS OTHERWISE STATED REMOVE ALL BURRS & SHARP EDGES. DO NOT SCALE DRAWING THE SURFACE TEXTURE ROUGHNESS NUMBER OF MACHINED SURFACES SHOULD BE EQUAL TO OR LESS THAN 0.8µm (N6 CLA32)		DIMENSIONS IN MILLIMETRES	
REV.	A	DRAWN	jcharnley	ORIGINAL SCALE	1:7
NOTE		APP.D.O.		DRAWN	jcharnley
DRAWN	jcharnley	DATE	14-08-23	APP.ENG.	
DATE	14-08-23			DATE	06-12-19

**DIGITAL PROJECTION** MIDDLETON M24 1XX

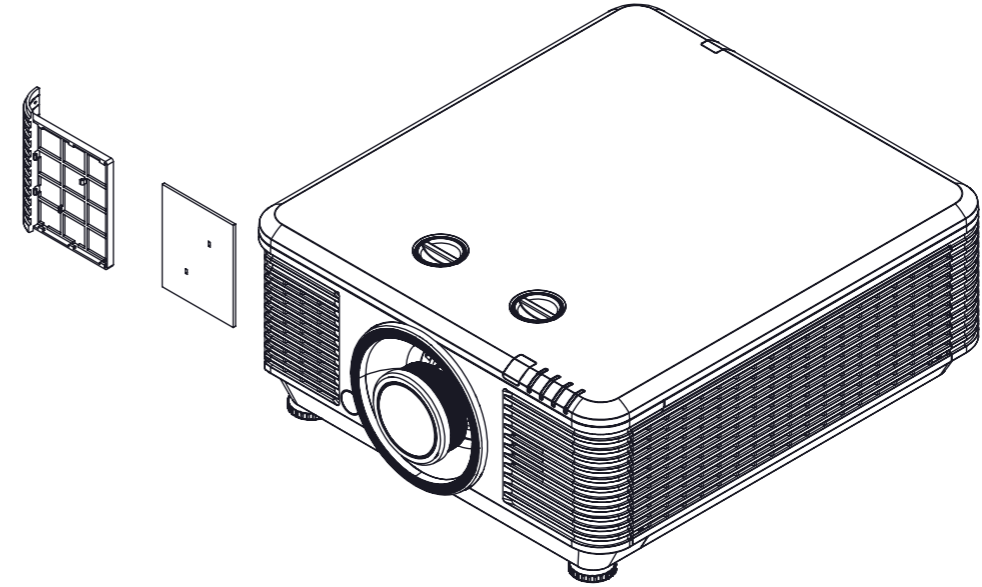
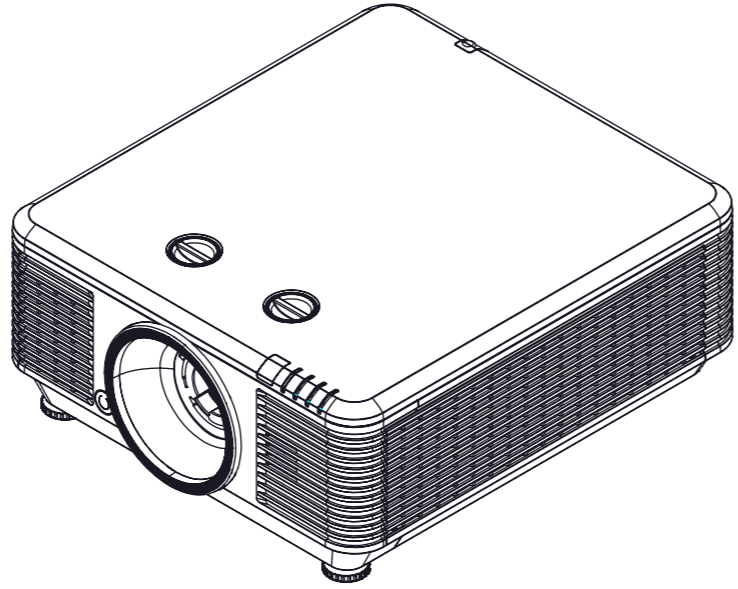
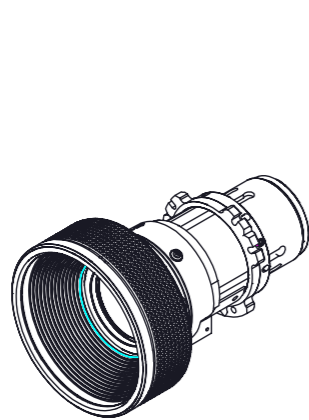
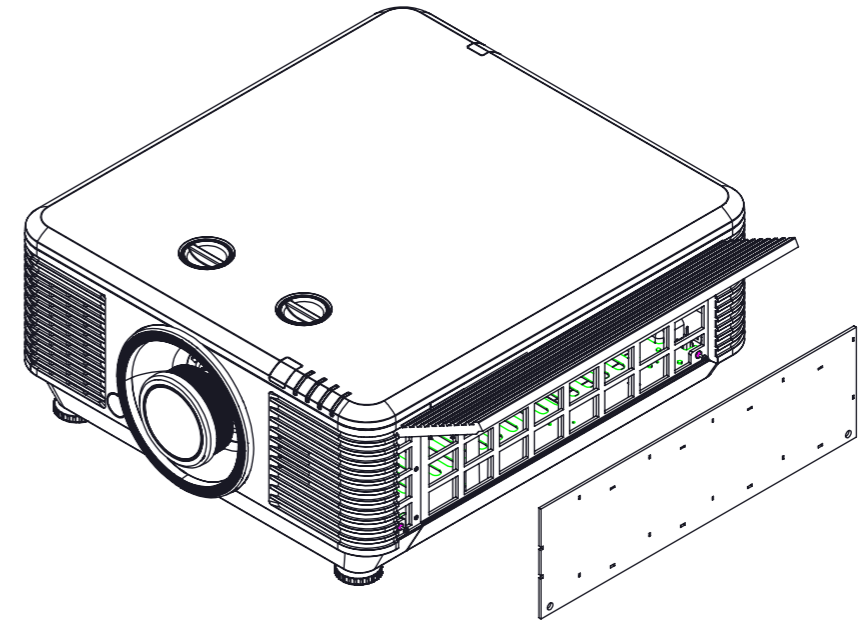
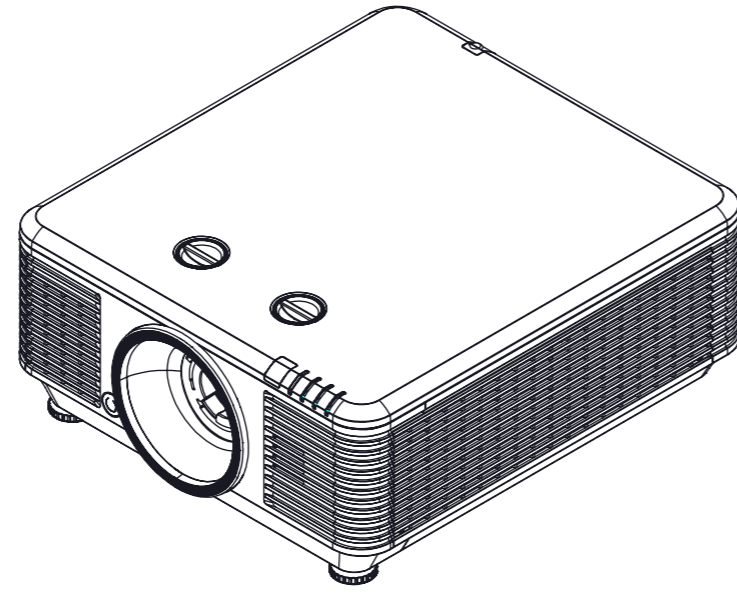
SEE ABOVE

COMPONENT OR DRG.No.  
SEE ABOVE

A3:SHEET 1 OF 2

1 2 3 4 5 6 7

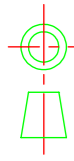
IF IN DOUBT, ASK.



A3 DRG. No.

PROPRIETARY INFORMATION  
This document contains proprietary information which is forwarded to you in confidence for a specific purpose. It shall not be reproduced nor transferred to other documents nor disclosed to others, nor used for manufacturing or any other purpose without the prior written permission of Digital Projection Ltd. It shall be returned immediately upon request.

DRAWN BS 308  
3rd Angle Projection



Distribution Code

Last Change

DATE OF ISSUE -14-8-23


A

B

C

D

E

3						TOLERANCES UNLESS OTHERWISE STATED	CAD GENERATED DRAWING. DO NOT MAKE MANUAL CHANGES	FIRST USED ON	 MIDDLETON M24 1XX	
2						METRIC: 1.000 = ±0.01 1.00 = ±0.1 1.0 = ±0.2 1 = ±0.4	UNLESS OTHERWISE STATED REMOVE ALL BURRS & SHARP EDGES. DO NOT SCALE DRAWING THE SURFACE TEXTURE ROUGHNESS NUMBER OF MACHINED SURFACES SHOULD BE EQUAL TO OR LESS THAN 0.8um (N6 CLA32)	DIMENSIONS IN MILLIMETRES		
1						IMPERIAL Fractional ±1/64" Decimal ± 0.005"	REV. <b>A</b>	ORIGINAL SCALE <b>1:7</b>		
	ITEM	DESCRIPTION	REFER TO	No Off	REMARKS		NOTE	DRAWN <b>jcharnley</b>	TITLE	COMPONENT OR DRG.No.
		MATERIAL			FINISH		DRAWN <b>jcharnley</b>	APP.ENG.		
<b>A</b>						ANGLES ± 0° 30'	APP.DO.	DATE <b>06-12-19</b>		
PRE REVS	CODE						DATE <b>14-08-23</b>			A3:SHEET <b>2 OF 2</b>